

Apex Xavier II Spec

- 简介 Brief
- 特性 Features
- 产品规格 Specifications
 - 处理器模组 Processor
 - 接口 I/O
 - 供电 Power Supply
 - 结构 Mechanical
 - 环境 Environmental
- 产品外观 Appearance
- 尺寸及安装 Install Dimension

简介 Brief

米文Apex Xavier II 是一款嵌入式人工智能计算机，能够为众多终端设备赋予人工智能计算力，从而有效降低人工智能产品的落地门槛。Apex Xavier II 可以在满足抗振防水等工业级标准的同时，提供高达32Tops计算能力，能够很好的满足低速无人驾驶等场景的视觉计算需求。除此之外 Apex Xavier II 还可提供高效的多传感器时钟同步功能与基于主流的AI算法加速SDK。

MiiVii Apex Xavier II is an embedded AI supercomputer. It delivers massive computing capabilities and essential features to terminal devices. With shock resistance connector and waterproof design, MiiVii Apex Xavier II is suitable for outdoor usage. In addition, MiiVii Apex Xavier II offers clock synchronization function and a variety of algorithm acceleration SDK.



特性 Features

- IP65 防护等级^{注1}

| *IP65 Protection*

- 高效主动式风扇散热

| *High performance active fan cooling system*

- 8×GMSL2视频输入接口

| *8×GMSL2 Camera supported*

- -25°C-70°C工作温度

-25°C-70°C Operating temperature

- 内部提供双MINI PCIE, 单M.2接口拓展

2×MINI PCIE Slot, 1×M.2 Slot

注1: 设备有防尘放水处理, 如客户自行安装扩展模块存在困难, 建议选购时预装相应扩展模块。

产品规格 Specifications

处理器模组 Processor

	Specification
Processor	NVIDIA Jetson AGX Xavier
AI Performance	Up to 32T OPS
CPU	8-core ARM v8.2 64-bit CPU
GPU	512-core Volta GPU
Memory	32GB 256-Bit LPDDR4 ¹
DL Accelerator	2×NV DLA Engines
Storage	32GB eMMC 5.1
Video Encode	4x 4Kp60 8x 4Kp30 16x 1080p60 32x 1080p30 (H.265) 4x 4Kp60 8x 4Kp30 14x 1080p60 30x 1080p30 (H.264)
Video Decode	2x 8Kp30 6x 4Kp60 12x 4Kp30 26x 1080p60 52x 1080p30 (H.265) 4x 4Kp60 8x 4Kp30 16x 1080p60 32x 1080p30 (H.264)

1

Jetson AGX Xavier DRAM内存规格由16GB提升到32GB。

接口 I/O

接口 Interface	规格/Specifications
网络接口 Network	2×PoE+ Gigabit Port (IEEE 802.3 at PoE+ 25.5W)
相机接口 Camera	2×GMSL2 4 IN 1 MINI FAKRA TYPE (10V,Transmission distance up to 15 meters,GMSL2 compatible with GMSL1)
视频输出 Video output	1×HDMI 2.0 (TYPE A)
USB	2×USB 3.0 (TYPE A)
通用输入/输出口 GPIO	4×In (0-12V) 4×Out (3.3V)
CAN FD	5×CAN FD (With CAN chip Terminal resistor 120)
串口 UART	1xDebug (RS232) , 3xRS232, 2xRS485
同步输入/输出口 Sync I/O	1xSYNC_IN (0-12V) 1xSYNC_OUT (3.3V) 1xSYNC_PPS (3.3V)
扩展接口 User Expansion	1×M.2 M Key (PCIe x4, 2280) 2×Mini PCIe (For 4G or WiFi expansion) 2×Nano SIM Socket
按键 Function Key	1xPower KEY,1xReset KEY,1xRecovery KEY (Button)

供电 Power Supply

Power Supply	Spec
Input Type	DC
Input Voltage	Wide input 9-36V DC
Typical consumption	30W

结构 Mechanical

Mechanical	Spec
Dimensions (W×H×D)	276mm×66mm×212mm (I/O ports and mounting holes included) 240mm×66mm×173mm (I/O ports and mounting holes excluded)
Weight	2.7Kg

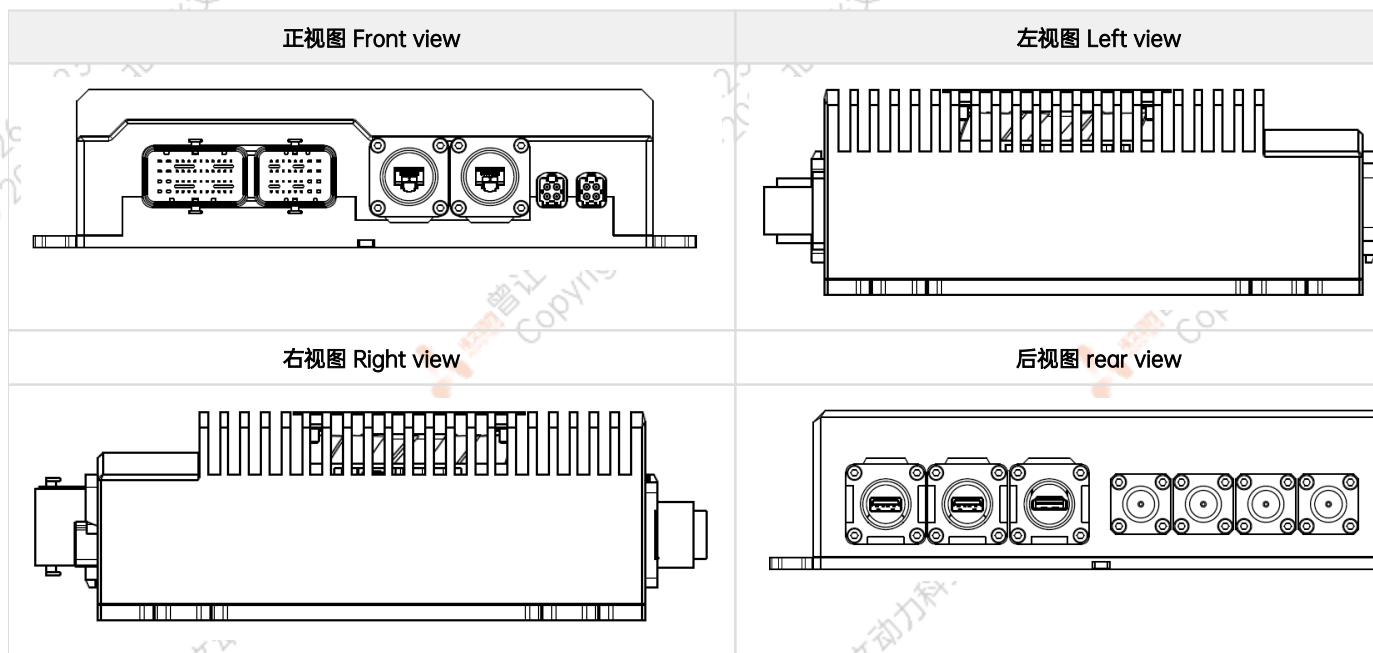
环境 Environmental

Environmental	Spec
Operating Temperature	-25°C-70°C
Storage Temperature	-40°C-80°C
Storage Humidity	10%-90% non-condensing
Vibration	3Grms,10Hz~500Hz,1h/axis

Protection

IP65

产品外观 Appearance

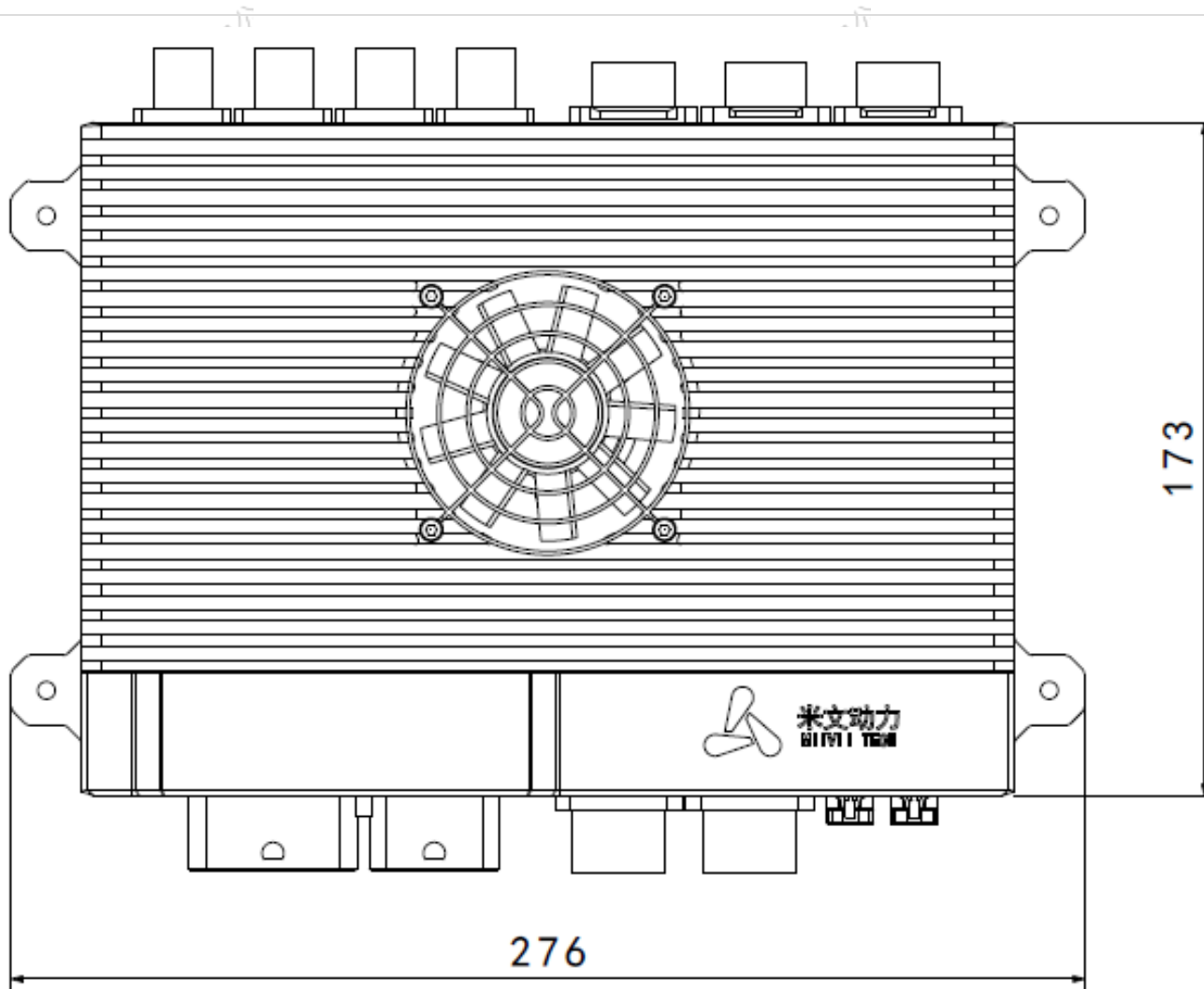


尺寸及安装 Install Dimension

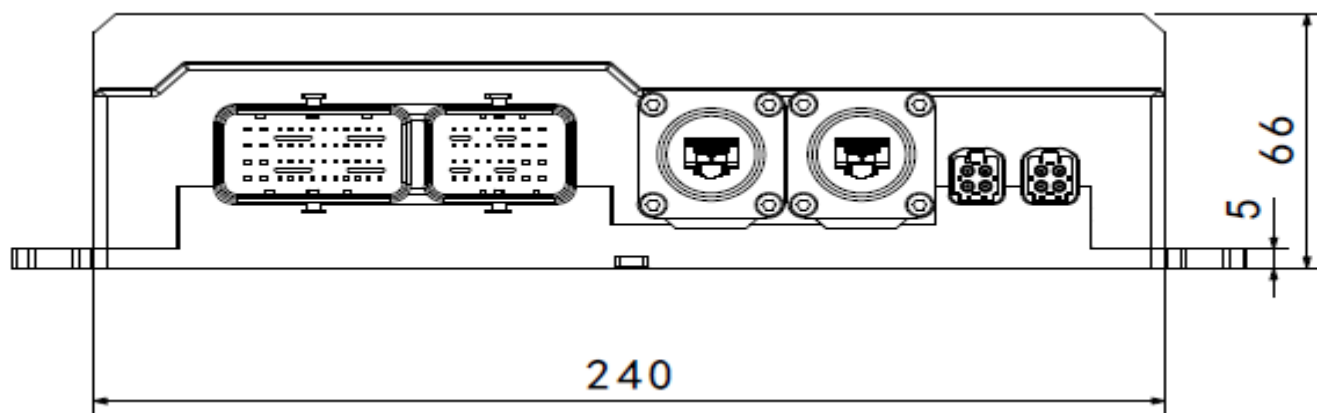
Apex Xavier II主体尺寸及安装孔位尺寸如图:

Dimensions and mounting hole position as below:

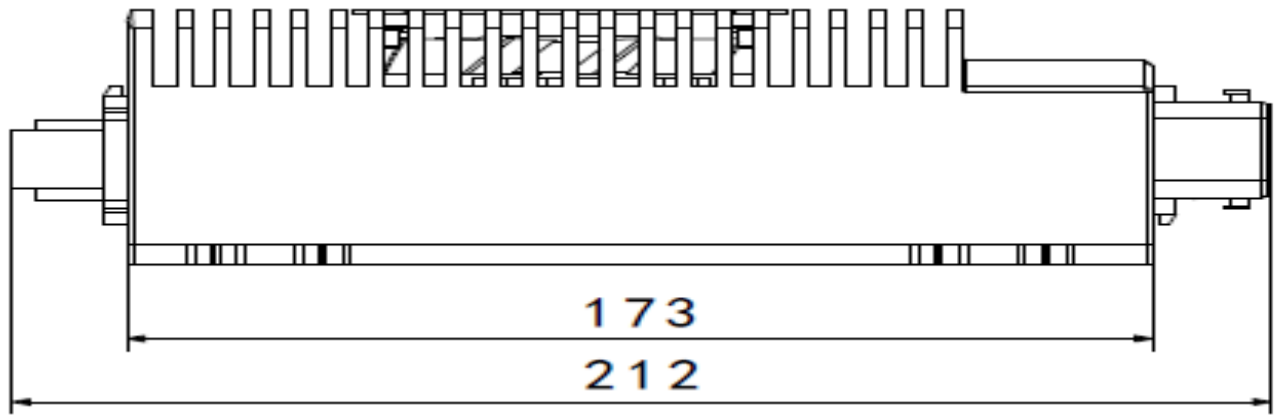
俯视图 Up view(Unit:mm)



主视图 Front view(Unit:mm)



左视图 Left view(Unit:mm)



安装孔位图 Mounting Hole(Unit:mm)

